

The DCI does NOT work like the factory dash controls so review the Operation section before using it. Installing a DCI requires the same skills and tools as installing a new head unit. If you have trouble understanding the wiring diagram or you aren't sure how to wire the DCI you should seek professional help (from an auto installer). DCIs are fully tested on a head unit using S2000 dash controls before shipping. Wiring errors will damage the DCI and are not covered by warranty. Be careful; do not assume "color-to-color" wiring.

Do NOT mount the DCI module behind the HU where it can get smashed or overheated, put it in an accessible place under the dash so you can easily get to it if you decide to change the switch options at a later date.

Dip Switch Settings

Switches 3 & 4 - Head Unit Brand – Set these switches for your head unit brand.

Switch 1 - Mute Control - This switch is normally set to OFF (down) sending mute commands via the DCI blue wire to the head unit ATT or Cell Phone lead. If your head unit does not have a separate ATT or Cell phone wire you should change switch 1 to ON (up) so the DCI sends the MUTE command via the 3.5mm cable/white wire.

If you are using a Blue Tooth adapter module and your ATT/Cell Phone wire is connected to the BT module you should set switch 1 ON (up) so the DCI and BT module do not "fight" each other.

Remember to insulate the DCI blue wire if you don't use it for the mute function.

Switch 2 - Tap-n-Press – This switch activates the "Tap-n-Press" feature which changes how the MODE and CH dash buttons work. Setting switch 2 ON causes the DCI to perform different commands depending on how long you hold MODE or CH before you release the button. If you "Tap" the button for less than 1/2 second you get one command and if you "Press" the button longer than 1/2 second you get another command. This puts the most common commands (next track and next preset station) on the easiest to hit buttons – Tap MODE and Tap CH. See the Operation section for details as it works differently on some head units.

↑ = dip switch up (ON)
↓ = dip switch down (OFF)

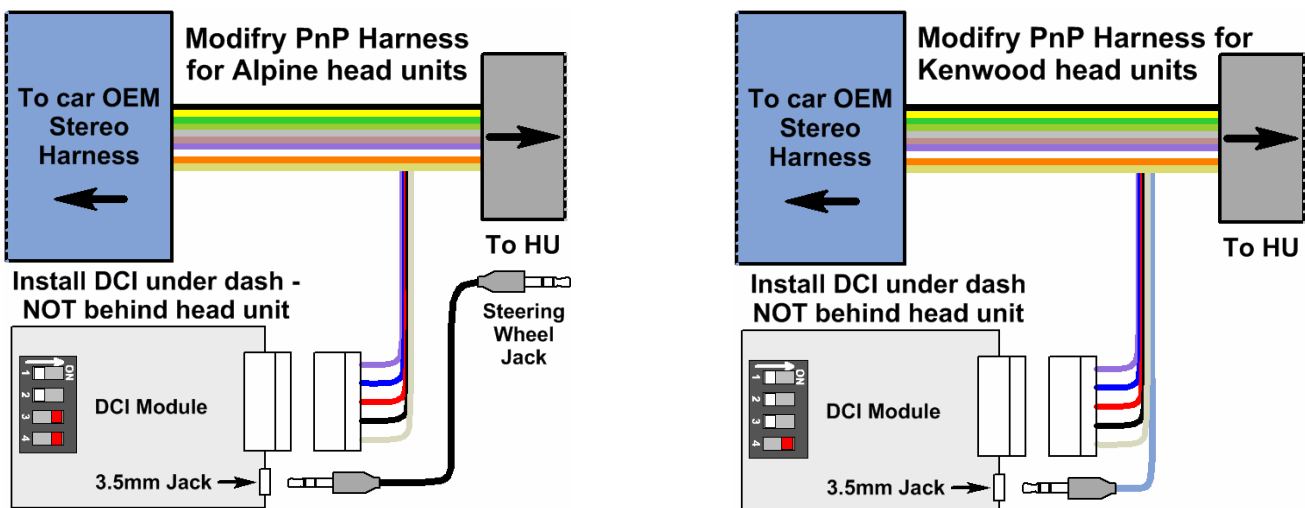
Mute Control		Tap-n-Press	
Switch #→	1	Switch #→	2
3.5mm Plug	↑	ON	↑
Blue Wire	↓	OFF	↓

	Head Unit Brand	
	Switch #→ 3	4
Alpine	↑	↑
Kenwood	↓	↑
JVC	↑	↓
Clarion	↓	↓

Wiring the DCI using a Modify Products Plug-n-Play Harness

If you purchased the "SCV Wiring Kit" with the PnP harness follow the instructions included in the kit and refer to page 4 for more information on the SCV feature and how to connect to the vehicle speed signal.

If you need an external amp turn-on wire – For Alpine, use the free-hanging blue/white wire (yellow/blue is not used). For Kenwood, T-tap the light blue wire (next to red on the big blue connector). Kenwood only has one switched output so it must be shared with the S2000 antenna amplifier wire that is pre-wired in the PnP harness.

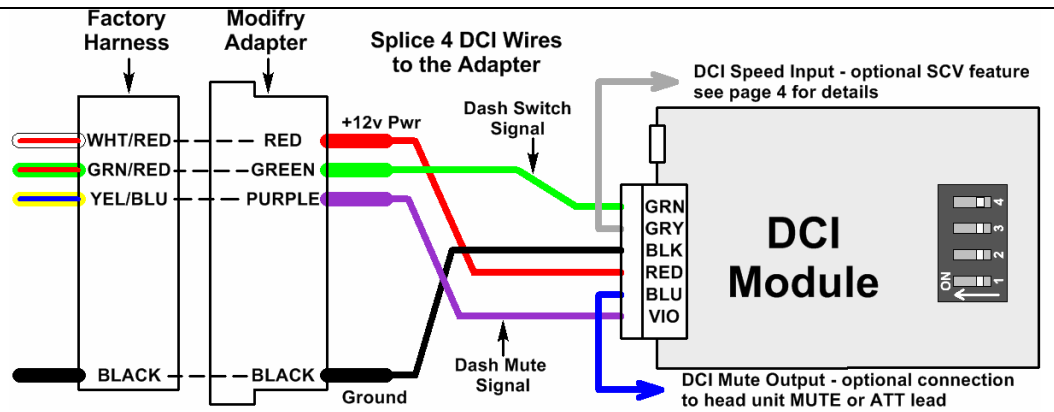


Wiring the DCI without the Modifry Plug-n-Play wiring Harness

Common wiring for all head units is shown here.

Splice the 4 DCI wires shown to the Modifry Adapter wires of the same color.

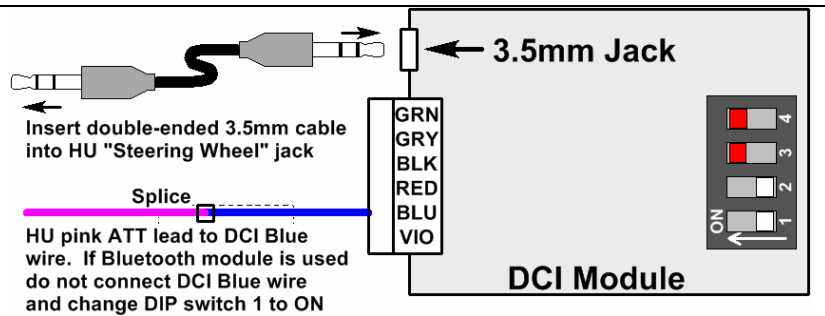
If you do not have a Modifry Adapter then splice to the Factory Harness wires using the colors shown.



Alpine head units

Follow this diagram for the remainder of the DCI wiring.

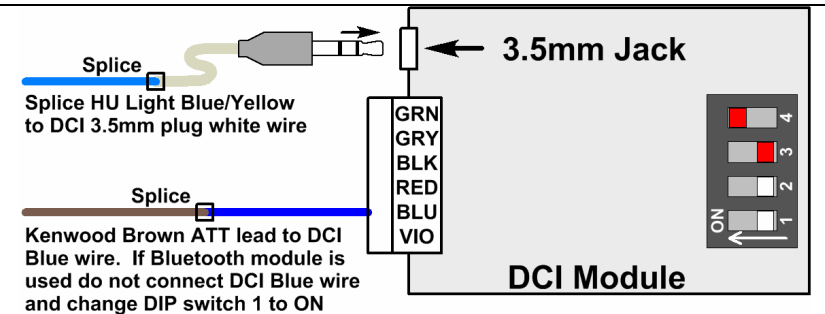
Use the double-ended 3.5mm cable supplied with the DCI to connect the DCI module to the head unit. Plug into the head unit "Steering Wheel Remote" jack. NEVER plug the DCI into an AUX or MIC jack.



Kenwood head units

Follow this diagram for the remainder of the DCI wiring.

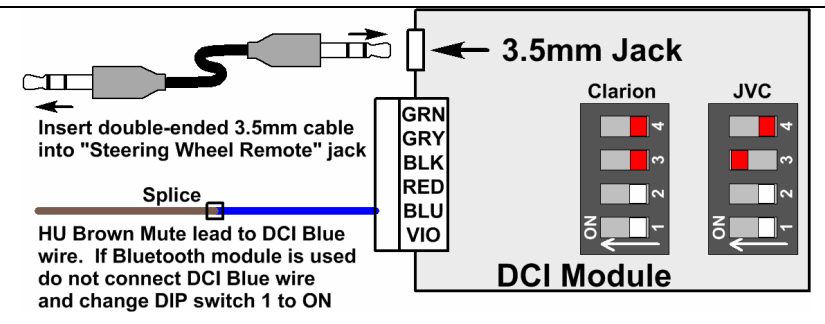
Use the 3.5mm plug with white wire, supplied with the DCI, for connection to the remote control wire on the head unit, usually blue/yellow.



Clarion head units and JVC head units up to 2010

Follow this diagram for the remainder of the DCI wiring.

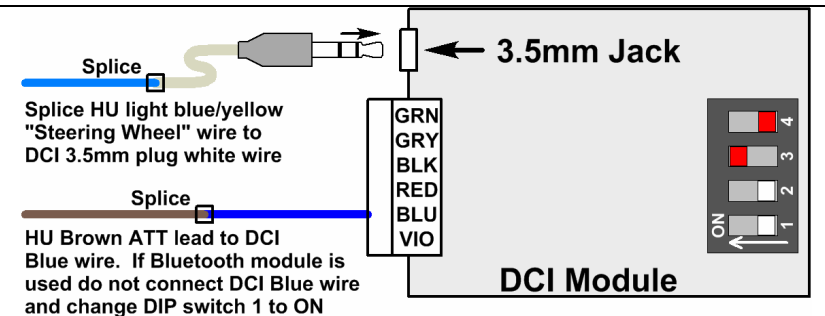
Use the double-ended 3.5mm cable supplied with the DCI to connect the DCI module to the head unit. Plug into the head unit "Steering Wheel Remote" jack. NEVER plug the DCI into an AUX or MIC jack.



JVC head units 2011 or newer

Follow this diagram for the remainder of the DCI wiring.

Use the 3.5mm plug with white wire, supplied with the DCI, for connection to the light blue/yellow "Steering Wheel Remote" wire on the head unit.



Operation of the DCI-2

Please note that the DCI does not operate exactly like the factory stereo controls. This is because the DCI provides extra functions and the fact that aftermarket head units use different commands than the factory head unit. Review these instructions and the tables below to familiarize yourself with the commands before operating your DCI.

Tap-n-Press Feature – see dip switch settings to activate this feature

Tap-n-Press allows the DCI to perform different commands depending on how long you hold the MODE or CH button depressed before you release them. If you give the button a quick “Tap” you get one command; if you “Press” the button longer you get a different one. While this sounds confusing at first it’s actually very easy to use, and the benefit is that the most common commands are now on the easiest to hit buttons – Tap MODE and Tap CH.

A “Tap” is defined as holding the button for less than ½ second. A “Press” is when you hold the button longer than ½ second. If you look at the table below you will see that tapping the MODE button performs the Next Track function if you’re listening to CD or it does Seek Up if you’re in radio mode. If the MODE button is pressed longer than ½ second it will perform its “normal” function – changing sources. Likewise, the Disk Up and Next Radio Preset commands are on the CH button, so tapping CH allows you to change disks (or MP3 folders) if you’re listening to a CD or it will jump to the next preset when you’re in radio mode. A longer “Press” of the CH button does its normal AM/FM Band function.

In previous versions of the DCI these functions were only available through “button combinations” where you pressed two buttons at once. Those combinations are still there, but by activating Tap-n-Press you can perform the most common commands with a quick Tap of the MODE or CH buttons.

If you do not set the “Tap-n-Press” feature, the commands with the gray background will be performed when you use the MODE or CH button, regardless of whether you “Tap” or “Press” the button.

MUTE function – When the DCI receives a MUTE command from the dash controls it disables all other commands, including the SCV function. This is because the head unit will come out of MUTE if it receives another command and that can be pretty annoying, especially if you have SCV enabled. When MUTE is cycled back OFF via the dash switch the other dash switches will be re-enabled and if SCV is used the DCI will adjust the volume based on your new speed (if it changed while you were muted).

Note: Because the DCI can only perform commands that are built into the head unit there are some limitations on where the commands are arranged or how they operate. Alpine and Kenwood are reasonably straight-forward but JVC and Clarion do some unusual things with their remote control command sets.

Dash Switch	Alpine	Kenwood	JVC	Clarion
MUTE	Mutes the audio output, some head units will pause CD playback depending on settings			
Volume Up/Dn	Tap to adjust volume up or down in steps, hold the switch to adjust rapidly up or down			
Tap MODE	Next track or Seek up	Next track or Seek up	Next track or Seek up	Next track or Radio Preset Up
Press MODE	Changes Source – Radio, CD, Aux input, CD Changer, etc.			
Tap CH	Disk Up or Radio Preset Up	Preset Up	Disk Down or Radio Preset Up	Next Disk (CD changer mode) or Next Band (in Radio mode) or Back to first track (single CD or MP3 mode)
Press CH	AM/FM Band	Disk Up or Next FM band	Sound (EQ settings)	
Hold MODE & Tap Vol Up	Next Track or Seek Up	Next Track or Seek Up	Next Track or Seek Up	Next track or Radio Preset Up
Hold MODE & Tap Vol Dn	Prev Track or Seek Down	Previous Track or Seek Down	Prev Track or Seek Down	Prev track or Radio Preset Dn
Hold CH & Tap Vol Up	Disk Up or Radio Preset Up	Disk Up or Next FM band	Disk Up or AM/FM Band	SCAN mode - press again to cancel SCAN
Hold CH & Tap Vol Dn	Disk Down or Radio Preset Dn	Disk Down or Next AM band	Disk Down or Radio Preset Up	Changes display (title, track, folder, etc)
Hold MODE & Tap CH	Toggles the SCV feature between your 2 selected settings			

The SCV (Speed Controlled Volume) Feature

The SCV feature operates by measuring vehicle speed and raising and lowering the volume at programmed speeds. The DCI has 14 "levels" of volume boost so you're sure to find one that suits your preference. Actually, you get to choose 2 levels and switch between them any time – just hold the MODE button and tap CH to toggle between the two SCV levels. Most users use the second SCV level to assign a more aggressive volume setting for Top Down driving. The DCI will remember the setting you last used until you change it. If you want to completely disable the SCV function, don't connect the vehicle speed sensor wire to the DCI or choose Level 0 as one of your two SCV settings and disable it via the MODE + CH buttons.

For all SCV levels the first Volume Up occurs at 15 mph. Subsequent Volume Ups are at different speeds depending on what SCV level you choose. Looking at the below chart you can see that higher SCV settings provide more frequent volume adjustments. The spacing between volume adjustments is called the 'interval', which is measured in mph. Higher SCV settings use smaller intervals, which provide more volume boost as you speed up.

Note: Even though the chart only shows three "Volume Up" commands the DCI will continue to raise the volume no matter how fast you go. Default settings are shown with a gray background. DCI-2 software revisions prior to .316 only have SCV levels 0 to 8.

SCV Level	Interval	First Volume Up	Successive Volume Ups	SCV Level	Interval	First Volume Up	Successive Volume Ups
0	SCV OFF – No volume adjustments						
1	29 mph	15	44, 73, 102	8	11 mph	15	26, 37, 48
2	25 mph	15	40, 65, 80	9	10 mph	15	25, 35, 45
3	21 mph	15	36, 57, 78	10	9 mph	15	24, 33, 42
4	19 mph	15	34, 53, 72	11	8 mph	15	23, 31, 39
5	17 mph	15	32, 49, 66	12	7 mph	15	22, 29, 36
6	15 mph	15	30, 45, 60	13	6 mph	15	21, 27, 33
7	13 mph	15	28, 41, 54	14	5 mph	15	20, 25, 30

The default programming is set for SCV levels 4 and 6 with level 4 being active when you first install the DCI. If you want to change these settings see the programming instructions on the page 6. The 14 settings for the SCV function work pretty much the same - the only difference is how closely spaced the volume changes occur. It is easier to understand if I describe one setting in detail, and I'll use the '6' setting in my example.

When the DCI determines that vehicle speed has reached 15 mph, it sends one VOLUME UP command to the head unit. At every succeeding interval of 15 mph (for the '6' setting) it will send an additional VOLUME UP command, so that by the time you reach highway speeds (60 mph) the volume will have been increased 4 times. (15, 30, 45, and 60 mph)

As you slow down, the volume will be reduced, and if you were to stop, the volume will return to its initial setting. The difference is that when slowing down, the VOLUME DOWN commands occur at different speeds than when you speed up. There is a good reason for this, as I'll explain.

Let's assume you are driving on the Interstate at 60 mph. The volume will have been increased 4 times, at 15, 30, 45, and 60 mph. As you cruise at 60, it would be annoying if every time your speed wavered between 59 and 60 mph the volume lowered and then increased again. So the DCI was designed to wait till your speed slows significantly before dropping the volume. It must see the speed drop by 1/2 of the speed 'interval' before it makes a volume adjustment. In this example, the speed interval is 15 mph, so the volume will not decrease till you slow below 52.5 mph (half of 15 is 7.5). The effect is that if you are cruising at 60 mph, you will need to either speed up to 75 or slow down to 52 before a volume change occurs, which eliminates annoying volume changes if your speed varies just a little.

Bear in mind the DCI checks vehicle speed about once a second, so if you accelerate quickly you may notice the volume adjustments lag a little behind. Don't be concerned, it will catch up within a second or two and adjust the volume appropriately.

Wiring the SCV feature (Speed-controlled-volume)

If you don't want to use the auto-volume feature skip this section and insulate the DCI gray wire.

1. Extend the DCI **gray** wire with a piece of 18 to 22 gauge wire and run it behind the passenger dash for connection to the speed signal wire. The speed signal is available at the Convertible Top Module located behind the passenger dash access panel, shown in photo 1, with the 6 snaps that hold it in place identified by yellow circles.
2. Remove the access cover using a non-metal pry tool so you don't scratch the plastic. If the cover has not been off before or the dash is very cold, the snaps may be fairly tight so be careful to avoid cracking the plastic cover.
3. Locate the Convertible Top Module, which is a black box with a blue label. It has 2 wiring connectors on the bottom side. Separate the wires on the right connector and look for a **white/black** wire on the bottom row of wires. It's identified in photo 2 with the yellow arrow.
4. You will need to splice (T-tap) the extended DCI **gray** wire into the **white/black** wire as shown in photos 3 and 4. Do not cut the white/black wire; it prevents the convertible top from being operated if the vehicle is moving. If the white/black wire were cut near the Top Module and the DCI connected to the opposite end of the speed signal wire, the DCI would see the speed signal but the Top Module wouldn't. This would allow the top to be lowered with the vehicle moving (assuming you pulled the hand brake up one click), which is a safety hazard. Don't do it!

Photo 1 showing passenger dash access cover



Photo 2 – Convertible Top Module and Speed Signal Wire



Photo 3 – putting a T-tap connector on the speed signal wire.

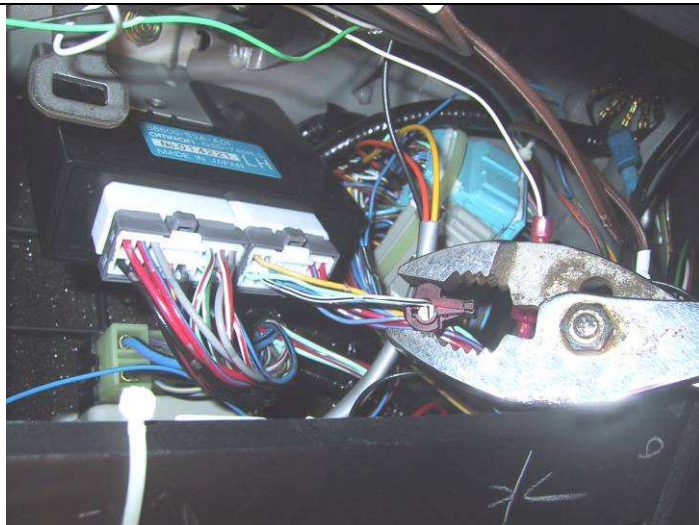


Photo 4 showing the DCI gray wire connected to the speed signal wire.



Programming the SCV Settings

Overview: (SCV = Speed-Controlled Volume)

There are 15 levels of SCV compensation, numbered 0 through 14, where 14 is the most aggressive volume adjustment and 0 disables SCV completely. You can program any two levels of SCV compensation and toggle between them anytime you want by holding MODE and tapping the CH button. Most owners will set a more aggressive SCV level for top-down driving and a lower setting for top-up or hard top use. (Note that you must change levels manually – the DCI has no way of knowing when you put the top up or down). You can also set one of the levels to 0 so you can conveniently turn SCV off using the MODE + CH button combination.

From the factory, SCV levels 4 and 6 are programmed into the DCI so it will work as soon as you install it. You do not need to perform the SCV programming procedure unless you want to change the SCV levels. I'd suggest using the DCI with the factory settings to get a feel for how it works before you try changing them.

The programming procedure is initiated via a special power-on sequence, after which you use the dash switches to set and save the two SCV levels you want to use. The programming process is fairly simple because it is "interactive"; using the HU display to indicate which SCV level you are setting. Refer to the SCV chart on the page 4 to determine which two SCV settings you want to use, then program them using the following procedure.

Procedure: Do NOT attempt to program the SCV levels while driving (DUH!)

1. First make sure the DCI is installed and working correctly. Note: It's easier to verify your programming is correct if you leave the "Tap-n-Press" dip switch OFF, at least the first time you set the SCV levels.
2. Turn the ignition to ACC, change Sources on your HU to FM radio mode, and set the volume to minimum (zero).
3. Turn the ignition OFF.
4. Hold the dash MODE button depressed and turn the ignition to ACC (this activates Program Mode).
5. Wait a second, and then release the MODE button.
6. Do NOT press any dash buttons or HU controls until the HU has finished powering up.
7. Once the HU is booted, press the dash Volume Up switch once and verify the HU changes volume and the display indicates the volume level is "1". Each time you press Volume Up the DCI sends a Volume Up command and also increments the internal SCV level, so the volume displayed on the head unit keeps step with the DCI SCV setting. You can use Volume Up and Volume Down to adjust the volume anywhere between 0 and 14. During Program Mode you cannot select a volume setting outside this range because it's not a valid SCV value.
8. Continue pressing the Volume Up or Down buttons to set the volume indicator to your first SCV level. Once you have selected the SCV setting you want, press the MODE button one time. The HU will change AM/FM bands (or in some cases the Preset Station) as an indication that the first SCV level was accepted and saved to memory.
9. Now use the Volume switches to set the second SCV level and press MODE to save it. The HU will again change AM/FM bands (or Presets) and then exit Programming Mode.

If you made a mistake or want to change the SCV levels, just repeat the Programming steps.

Notes:

1. Hint – Pioneer head units seem to require more aggressive SCV settings, try Level 9 or above
2. The above instructions say the HU will change AM/FM Bands when you save the SCV level (by pressing MODE). In actuality the HU will perform the command normally assigned to the CH button. For 90% of HU that is the AM/FM Band command, but for some goofy HU like Kenwood, JVC, or Clarion it will do something else. If you have one of these HU you can see which command it will perform by looking at the Operation section of this manual. It's not that important, but I didn't want you to be confused when your JVC activates the EQ display.
3. You can re-program the SCV levels any time you want, as often as you want.
4. Do NOT press and hold the Volume switches during Program Mode. The DCI will repeat volume commands very quickly and the HU may not reflect the true SCV setting. Adjust the volume in single steps to be sure the HU stays in step with the counter in the DCI.
5. During Programming Mode the dash MUTE switch is active, so don't press it. In some cases it will prevent Volume commands from working and the HU will not correctly indicate the SCV level you are setting.
6. The SCV level is not saved till you press MODE, so it doesn't matter how many times you change the volume between 0 and 14. All that matters is where it's set when you press the MODE button to save it.
7. If you have one of those silly head units that does not indicate volume levels or does not display single steps you will have to count the number of times you hit Volume Up to know which SCV level you are setting. Just remember that Program Mode always starts at level 0 and after you set the first SCV level it remains at that level (does NOT return to 0) and you should adjust it up or down from there to select the second SCV level.