

The DCI does NOT work like the factory dash controls so review the Operation section before using it. Be careful if you are doing your own wiring and follow the diagrams below; do not assume “color-to-color” wiring.

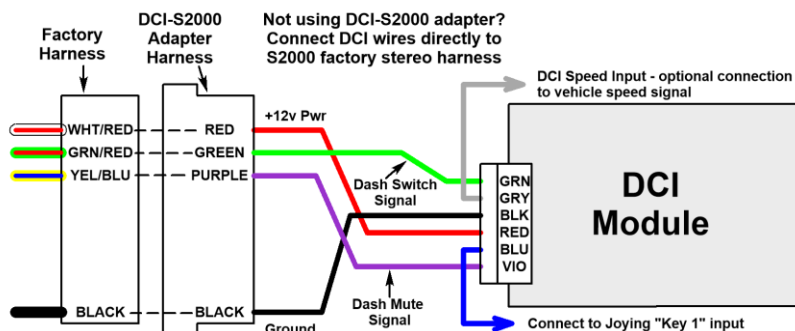
Do NOT mount the DCI module behind, below, or above the HU where it can get crushed or overheated. Put it in an accessible place under the dash in case you need access at a later date.

Installation and wiring

If you have the DCI-S2000 Adapter Harness your job just got a lot easier because it's the only adapter on the market that includes the wires for the S2000 dash controls, and it comes pre-wired for the DCI.

If you have a generic adapter harness you will have to splice the DCI red and black wires into the switched power wires for the head unit, and then splice the DCI green and purple wires directly into the factory stereo harness green/red and yellow/blue wires (as if the DCI-S2000 Adapter Harness in the above diagram were missing).

The DCI Blue wire must be connected to the Joying “Key 1” wire. This is how the DCI sends all the commands to the head unit.



If you purchased the SCV Wiring Kit, follow the instructions included in the kit to complete that part of the installation.

Special note on the MUTE function – When the DCI receives a MUTE command from the dash controls it disables all other DCI commands, including the SCV function. This is because the head unit will come out of MUTE if it receives another command, so it will be out of sync with the dash mute indicator. Plus, if you're using the SCV feature, a volume adjustment will unmute the head unit which can be pretty annoying. When MUTE is cycled back OFF via the dash switch the other dash switches will be enabled again and the DCI will adjust the volume based on your new speed (if it changed while you were muted).

Trouble getting your DCI to work? See important tips below and on our web site.

We test every DCI using a dash control mockup before it's packaged for sale, so we are pretty sure the product we ship is fully functional. In most cases you will get it working faster if you assume the DCI is good and look for a problem with installation or setup.

Troubleshooting Tips – One of these tips solves over 99% of the “my DCI doesn't work right” emails we receive, though for some reason it frequently takes 4 or 5 (or in one case 11) emails before the customer figures it out.

1. If the dash mute is on, or the dash mute circuit is bad, the DCI will appear dead. If the mute signal (2v or more) is sensed by the DCI it will disable all other commands until mute is turned off. If your DCI is not doing anything verify the DCI purple wire has no voltage on it, or disconnect it and see if the DCI starts working.
2. Verify wiring and Joying programming settings. Get a friend to review your work; it helps to have someone who hasn't been staring at it for 2 hours look it over.
3. If you're using an adapter harness check the connector for bent pins. These connectors use long thin pins that must align perfectly with a tiny hole in the mating socket. If a pin misses the hole it can get bent out of alignment and bend sideways. We've even seen cases where the pin enters the hole at an angle and makes intermittent contact with the terminal socket, so make sure the pins are straight.
4. If you are using SCV and it doesn't seem to work, hit the MODE + CH button combination a couple times and try again. If it still doesn't work then check your connection to the speed signal wire. We test the SCV function on every DCI before it ships so we know it worked when it was sealed in the pink bag.
5. If you see the yellow text “please select learning function button” as soon as you bring up the steering wheel screen (before touching any of the dash controls), that means there is already a signal on the Joying Key 1 or Key 2 wires. This can also happen if the DCI does not have power, so check to be sure the 12v and ground wires are correctly connected to the DCI.


Programming the Dash Controls to work with Joying

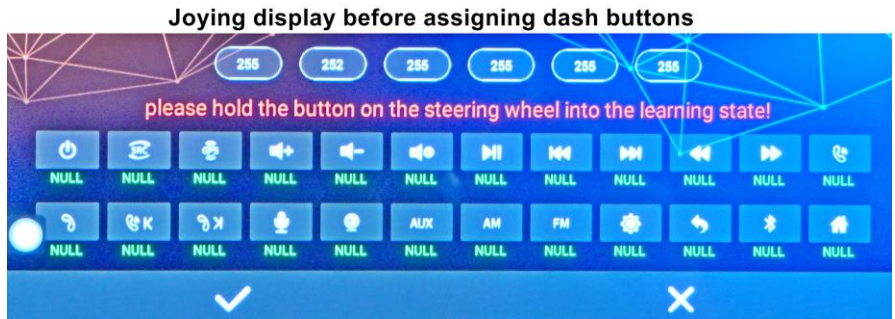
We recommend assigning Volume Up/Down and Mute to their normal functions, especially if you are going to use the SCV feature, as other assignments will make setting the SCV levels difficult if not impossible.

- Mode short tap (less than 1/2 second)
- Mode long press (over 1/2 second)
- CH short tap
- CH long press
- Vol Up – (repeats if held)
- Vol Dn – (repeats if held)
- Mode + Vol Up - (hold MODE and tap Vol Up)
- Mode + Vol Dn - (hold MODE and tap Vol Dn)
- CH + Vol Up - (hold CH and tap Vol Up)
- CH + Vol Dn - (hold CH and tap Vol Dn)
- Mute (toggles correctly)

Programming steps:

During program mode each tap of a dash switch (or combination) will transmit a unique signal for 3 seconds to give you time to assign the appropriate Joying function. This is easier than holding the buttons (especially the button combos) while selecting the Joying icon. Also, holding a dash button will cause the DCI to cycle the command on and off, confusing the Joying learn mode, so DO NOT HOLD the dash buttons while assigning a Joying function.

1. Begin with the ignition OFF.
2. Press and hold the dash CH button and turn the ignition to ACC or ON, then release the CH button. This activates Program Mode on the DCI.
3. On the Joying Home screen, press the Menu icon. 
4. Scroll right (touch and drag left) to display the next page of icons and select the Settings icon.
5. At the bottom of the next screen is a row of icons, select the Gear icon.
6. Scroll down (touch and drag up) till you get to the bottom of the listing, then select “Steering Wheel Setting”
7. The next screen displays all of the available functions that can be assigned to each of the Dash Control buttons or button combinations. A message in red text is displayed: “please hold the button on the steering wheel into the learning state”.
8. Tap the dash Volume Up button once (DO NOT HOLD!) and the Joying message changes to yellow text “please select learning function button”.
9. Touch the volume up icon on the screen to assign the dash button. The green NULL message under the icon will change to a red number, and after a second or two the yellow text is replaced by the red “please hold the button” message. If you missed the 3-second window to assign the function, just tap of the Volume Up again to start a new 3-second delay for you to select the Joying icon.
10. Repeat the procedure of tapping a dash button or combo and touching the icon on the Joying screen to assign the rest of the dash control commands.
11. Be sure to press the checkmark icon to save your button assignments and turn off the ignition so the DCI can exit programming mode!



Notes:

- Do not be concerned if some of the red numbers below the programmed icons match other icons; this does not mean they are duplicates.
- You cannot assign a dash switch to more than one function. If you do, the second function will be remembered and the first one will be erased.
- If you make a mistake and assign the wrong function to a dash switch, just repeat the process for that button to correct the error.
- The AM and FM icons perform the same function despite their designations – each one will cycle through the 5 radio bands (3 FM and 2 AM). The good news is that either icon can be assigned a dash button and used to change to radio mode from just about anywhere in the menu system. Kind of a “shortcut to radio mode”.

